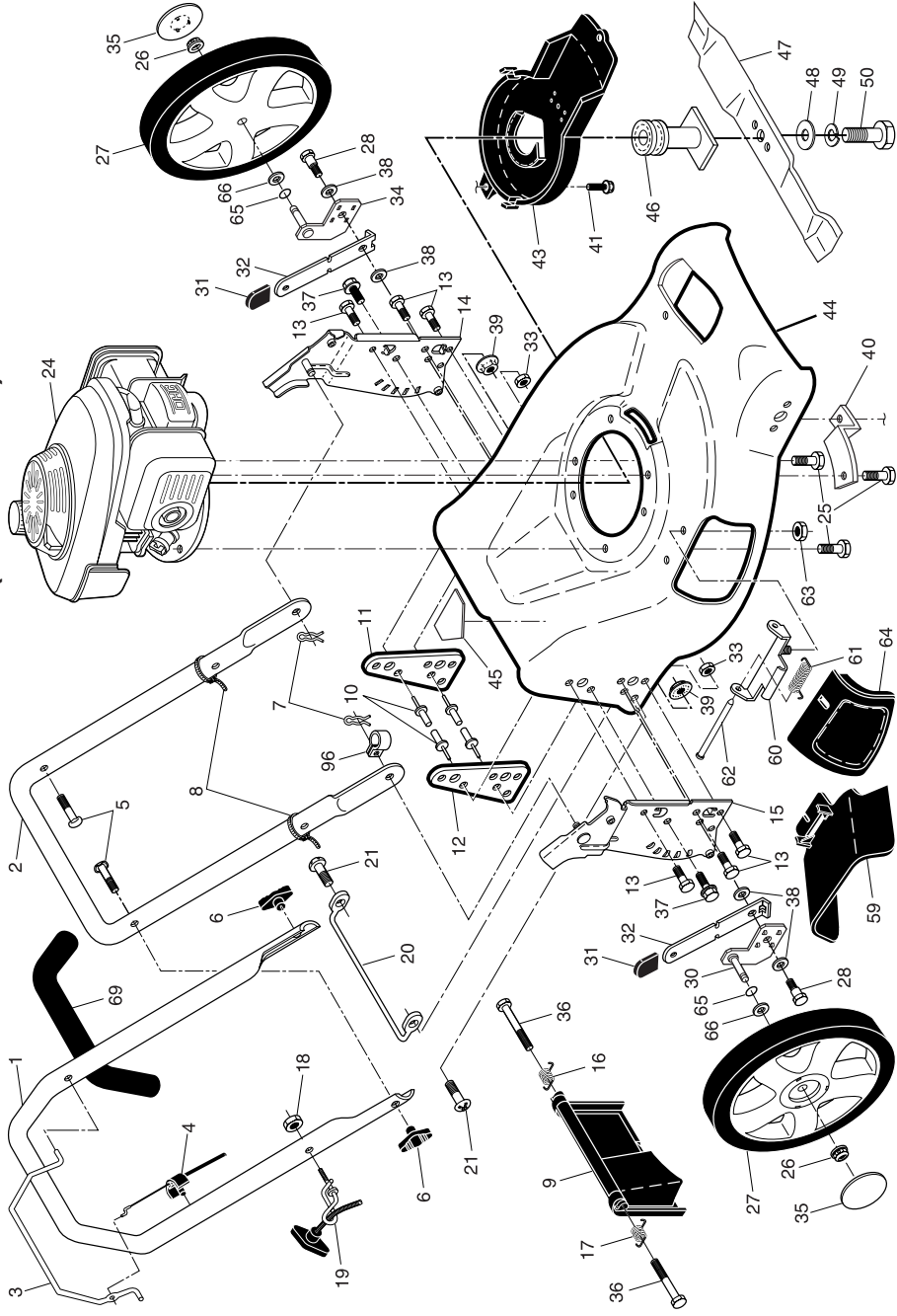


REPAIR PARTS MANUAL
MODEL NO. EDITION 1
MFG. ID. NO. 96141014500
Rotary Lawn Mower



SERVICE NOTES

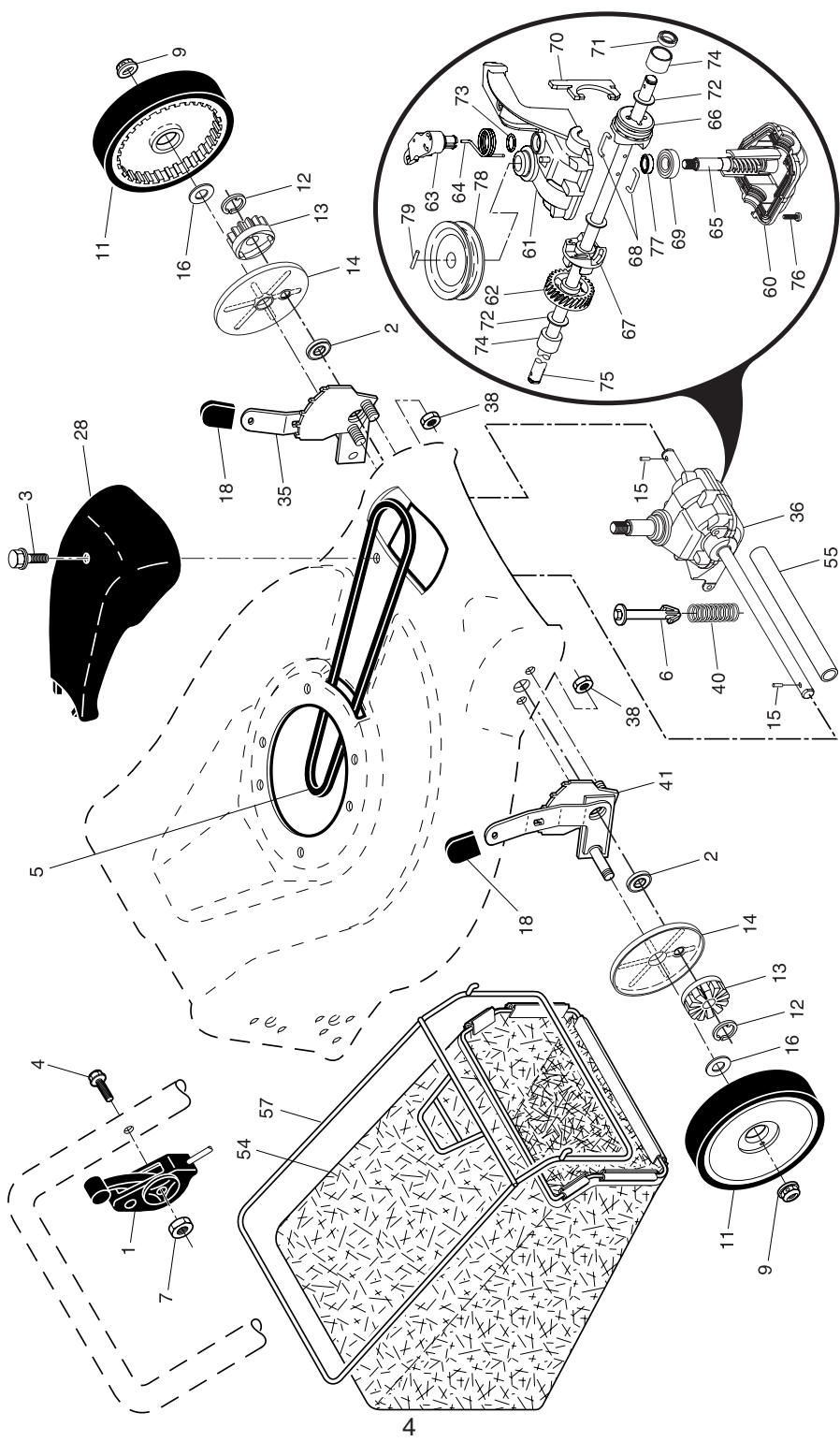
ROTARY LAWN MOWER -- MODEL NO. EDITION 1 (96141014500) - PRODUCT NO. 961 41 01-45

KEY NO.	PART NO.	DESCRIPTION	KEY NO.	PART NO.	DESCRIPTION
1	532 40 12-50	Upper Handle (Includes Foam Grip)	35	532 19 18-53	Hubcap
2	532 15 36-05	Lower Handle	36	532 18 41-93	Bolt
3	532 18 99-03	Control Bar	37	874 78 05-12	Thread Cutting Screw w/Sems 5/16-18 x 3/4
4	532 18 35-67	Cable, Engine Zone Control	38	819 11 22-06	Washer, Flat
5	532 19 15-74	Handle Bolt	39	873 80 05-00	Nut, Hex, Nylock 5/16-18
6	532 19 19-38	Handle Knob	40	532 19 09-39	Mounting Bracket, Debris Shield
7	532 05 17-93	Hairpin Cotter	41	532 19 23-25	Screw, Hex Washer Head
8	532 06 64-26	Wire Tie	43	532 40 58-45	Debris Shield
9	532 40 69-85	Rear Door Assembly	44	532 40 92-65	Kit, Lawn Mower Housing (Includes Key Numbers 10, 11, 12 and 45)
10	532 12 84-15	Pop Rivet	45	532 18 21-66	Danger Decal
11	532 41 05-40	Support Bracket, LH	46	532 18 46-33	Blade Adapter / Pulley
12	532 41 05-42	Support Bracket, RH	47	532 19 93-77	Blade, 21"
13	817 06 04-10	Screw 1/4-20 x 5/8	48	532 85 10-74	Hardened Washer
14	532 18 25-43	Handle Bracket Assembly, LH	49	532 85 02-63	Helical Washer 3/8-24 x 1-3/8 Grade 8
15	532 18 25-45	Handle Bracket Assembly, RH	50	532 85 10-84	Machine Screw, Hex 3/8-24 x 1-3/8 Grade 8
16	532 40 54-17	Spring, Rear Door, LH	59	532 17 50-71	Discharge Deflector
17	532 40 54-18	Spring, Rear Door, RH	60	532 17 57-35	Hinge Bracket
18	532 13 20-04	Locknut, Hex, Keys 1/4-20	61	532 19 30-00	Spring, Hinge
19	532 19 47-88	Rope Guide	62	532 17 56-50	Rod, Hinge
20	532 17 92-05	Foot Guard, C.E.	63	873 80 04-00	Nut, Hex
21	532 05 45-83	Screw, Tapping 1/4-20 x 1/2	64	532 17 50-66	Mulcher Door
24	- - -	Engine, Honda, Model Number GCV160 (order parts from engine manufacturer)	65	532 19 74-80	O-Ring
25	532 15 04-06	Screw, Hex Head, Rolled 3/8-16 x 1-1/8	66	532 08 83-48	Washer, Flat 3/8
26	532 14 52-12	Nut, Hex, Flangelock	69	532 16 42-65	Grip, Foam
27	532 18 05-52	Wheel & Tire Assembly, Rear 14"	96	532 19 79-91	Clip, Cable
28	532 16 08-28	Shoulder Bolt 5/16-18 x .33	- -	532 18 21-34	Decal, Self-Propelled, Internal (not shown)
30	532 18 57-07	Axle Arm Assembly, Rear, RH	- -	532 40 96-72	Operator's Manual, European
31	532 19 00-69	Selector Knob	- -	532 40 96-69	Operator's Manual, Scandinavian
32	532 18 25-37	Selector Spring	- -	532 40 96-70	Operator's Manual, East Bloc
33	873 19 85-41	Locknut, Hex 1/4-20	- -	532 40 96-75	Operator's Manual, Baltic
34	532 18 57-08	Axle Arm Assembly, Rear, LH	- -	532 40 96-68	Repair Parts Manual, English

NOTE: All component dimensions given in U.S. inches. 1 inch = 25.4 mm.

IMPORTANT: Use only Original Equipment Manufacturer (O.E.M.) replacement parts. Failure to do so could be hazardous, damage your lawn mower and void your warranty.

ROTARY LAWN MOWER -- MODEL NO. EDITION 1 (96141014500) - PRODUCT NO. 961 41 01-45



ROTARY LAWN MOWER -- MODEL NO. EDITION 1 (96141014500) - PRODUCT NO. 961 41 01-45

KEY NO.	PART NO.	DESCRIPTION	KEY NO.	PART NO.	DESCRIPTION
1	532 18 45-88	Cable Assembly, Drive Control	55	532 17 57-39	Driveshaft Cover
2	532 19 10-39	Bearing, Wheel Adjuster	57	532 40 18-02	Frame, Grassbag
3	532 17 52-62	Pan Head Tapping Screw #10-24 x 2-3/4	60	532 18 34-97	Case, Lower
4	532 15 87-55	Hex Washer Head Screw 1/4-20 x 2.12	61	532 18 34-98	Case, Upper
5	532 17 54-36	V-Belt	62	532 18 34-99	Gear, 27 Teeth
6	532 15 04-95	Spring Retainer	63	532 18 35-00	Lever, Clutch
7	532 19 17-30	Nut, Hex, Flanged 1/4-20	64	532 18 35-01	Spring, Return
9	532 08 39-23	Locknut, Hex	65	532 18 35-02	Shaft, Input
11	532 18 07-75	Wheel & Tire Assembly, Front 8"	66	532 18 35-03	Dog, Movable
12	812 00 00-58	E-Ring	67	532 18 35-04	Dog, Fixed
13	532 40 38-49	Pinion	68	532 18 35-05	Wire, Formed
14	532 18 94-03	Dust Cover	69	532 18 35-06	Bearing, Ball
15	532 19 10-17	Pawl, Drive	70	532 18 35-07	Fork, Shift
16	532 06 77-25	Washer 1/2 x 1-1/2 x .134	71	532 18 35-08	Seal, Output Shaft
18	532 70 10-37	Selector Knob	72	532 18 35-09	Washer
28	532 18 14-67	Drive Cover	73	532 18 35-10	Seal, Case
35	532 40 90-97	Kit, Wheel Adjuster, LH (Includes Knob and Bearing)	74	532 18 35-11	Bushing
36	532 19 92-05	Gear Case Assembly (See Breakdown)	75	532 19 66-13	Shaft, Output
38	873 80 04-00	Locknut, Hex 1/4-20	76	532 18 35-13	Screw
40	532 13 70-90	Spring	77	532 18 35-14	Seal, Input Shaft
41	532 40 90-98	Kit, Wheel Adjuster, RH (Includes Knob and Bearing)	78	532 19 98-52	Drive Pulley
54	532 19 48-53	Grassbag Assembly	79	532 19 94-19	Pin, Retaining

NOTE: Use Dow Corning #709 to reseal Gear Case Halves.

IMPORTANT: Use only Original Equipment Manufacturer (O.E.M.) replacement parts. Failure to do so could be hazardous, damage your lawn mower and void your warranty.